

A.S.P. Electro-Technology Ltd

Tel: +44 (0) 1455 635796  
Fax: +44 (0) 1455 610851

sales@asp-electro-tech.com  
www.asp-electro-tech.com

2-31-040 / Fire & industrial audible & visual signals

## SON4 Alarm Sounder & Xenon Beacon

The SON4 is a compact, high output, 104dB(A) alarm sounder with integral Xenon strobe beacon. The robust fire retardant housing ensures suitability for all general signalling applications including fire, security and process control.

The SON4 features 32 alarm tone frequencies and a total of 3 remotely selectable alarm stages/channels. The wire to base termination simplifies installation and provides duplicated terminals. CPR compliant to EN54-3 and VdS approved.

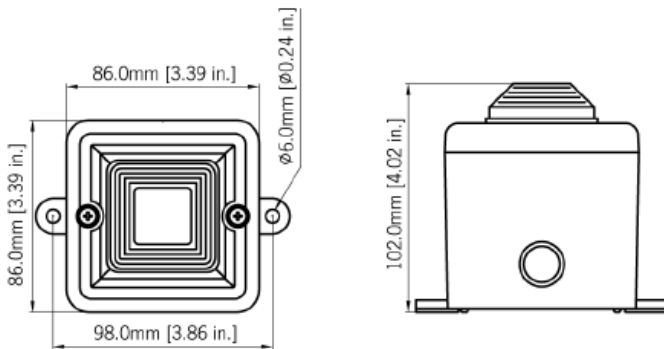
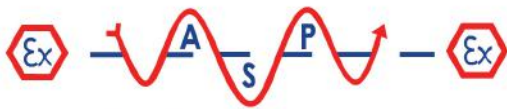
### Features

- Automatic synchronisation on multi-sounder system.
- Continuously rated.
- Stainless steel fixings.
- Unit can be mounted using external lugs or internal BESA compatible fixing positions.
- Duplicate cable terminations (in & out for daisy-chain installations).
- Wire to base installation
- Tropicalisation available on request.
- Available with custom tone configurations and frequencies.

### Approvals

- VdS approved: EN54-3 (CPD 89/106/EEC).
- GOST-R approved. Cert: POCC GB-JB05-H00144.





**Specification**

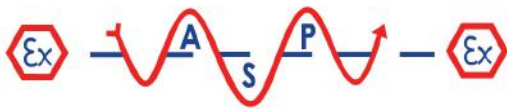
<b>Sounder:</b>	
Maximum output:	104dB(A) @ 1 metre [95dB(A) @ 10ft/3m]
Nominal output:	100dB(A) @ 1m +/- 3dB - Tone 2 [91dB(A) @ 10ft/3m]
No. of tones:	32 (UK00A / PFEER compliant)
No. of stages:	3
Volume control:	3 levels via on board switch
Effective range:	32m/105ft @ 1KHz
Stage switching:	Reverse polarity stage switching on DC units.
<b>Beacon:</b>	
Energy:	0.5 Joules
Flash rate:	1 Hz (60fpm)
Peak Candela:	50,000 cd - calculated from energy (J)
Effective Intensity cd:	25 cd - calculated from energy (J)
Peak Candela:	5,038 cd* - measured ref. to I.E.S.
Effective Intensity cd:	11 cd* - measured ref. to I.E.S.
Lens colours:	Amber, Blue & Red
<b>General:</b>	
Voltages DC:	24V dc (18-30V dc) Reverse polarity diode protection on DC units.
Voltages AC:	24V ac; 115V ac; 230V ac
Ingress protection:	IP66
Housing material:	High impact UL94 V0 & 5VA FR ABS
Colour:	Red (RAL3000), grey (RAL7038) & white.
Lens material:	PC
Cable entries:	4 x M20 clearance gland knockouts in side & back
Terminals:	0.5 to 1.5mm <sup>2</sup> cables.
Operating temp:	-25 to +55°C [-13° to +131°F]
Storage temp:	-40 to +70°C [-40° to +158°F]
Relative humidity:	90% at 20°C [68°F]
Weight:	DC: 0.30kg/0.66lbs AC:0.40kg/0.88lbs
*SPL data +/-3dB(A). Measured at optimum voltage.	
*Candela measurements representative of performance with amber lens at optimum voltage.	

**Part Codes**

|\_Version: | \_Part code: | |24V dc | SON4DC24[x]/[y] | |24V ac | SON4AC24[x]/  
 |115V ac | SON4AC115[x]/[y] | |230V ac | SON4AC230[x]/[y] | | [x] = Enclosure  
 colour: | G: Grey (RAL7038)  
 R: Red (RAL3000)  
 W: White | | [y] = Lens colour: | A: Amber  
 B: Blue  
 R: Red |

**Alarm Sounder**

Version:	Voltage:	Current:
24V dc	18-30V dc	80-110mA
24V ac 50/60Hz	+/-10%	90-135mA
115V ac 50/60Hz	+/-10%	35mA
230V ac 50/60Hz	+/-10%	20mA



A.S.P. Electro-Technology Ltd

Tel: +44 (0) 1455 635796  
 Fax: +44 (0) 1455 610851

sales@asp-electro-tech.com  
 www.asp-electro-tech.com

Tone table

S 1	Description	S 2	S 3
T 2	800/1000Hz @ 0.25 sec Alternating	T 17	T 5
T 3	500/1200Hz @ 0.3Hz 0.5 sec Slow Whoop	T 2	T 5
T 4	800/1000Hz @ 1Hz Sweeping	T 6	T 5
T 5	2400Hz Continuous	T 3	T 26
T 6	2400/2900Hz @ 7Hz Sweeping	T 7	T 5
T 7	2400/2900Hz @ 1Hz Sweeping	T 10	T 5
T 8	500/1200/500Hz @ 0.3Hz Sweeping	T 2	T 5
T 9	1200/500Hz @ 1Hz - DIN / PFEER P.T.A.P.	T 15	T 2
T 10	2400/2900Hz @ 2Hz Alternating	T 7	T 5
T 11	1000Hz @ 1Hz Intermittent	T 2	T 5
T 12	800/1000Hz @ 0.875Hz Alternating	T 4	T 5
T 13	2400Hz @ 1Hz Intermittent	T 15	T 5
T 14	800Hz 0.25sec on, 1 sec off Intermittent	T 4	T 5
T 15	800Hz Continuous	T 2	T 5
T 16	660Hz 150mS on, 150mS off Intermittent	T 18	T 5
T 17	544Hz (100mS)/440Hz (400mS) - NF S 32-001	T 2	T 27
T 18	660Hz 1.8sec on, 1.8sec off Intermittent	T 2	T 5
T 19	1.4KHz-1.6KHz 1s, 1.6KHz-1.4KHz 0.5s -NFC48-265	T 2	T 5
T 20	660Hz Continuous	T 2	T 5
T 21	554Hz/440Hz @ 1Hz Alternating	T 2	T 5
T 22	544Hz @ 0.875 sec. Intermittent	T 2	T 5
T 23	800Hz @ 2Hz Intermittent	T 6	T 5
T 24	800/1000Hz @ 50Hz Sweeping	T 29	T 5
T 25	2400/2900Hz @ 50Hz Sweeping	T 29	T 5
T 26	Bell	T 2	T 15
T 27	554Hz Continuous	T 26	T 5
T 28	440Hz Continuous	T 2	T 5
T 29	800/1000Hz @ 7Hz Sweeping	T 7	T 5
T 30	420Hz @ 0.625 sec Australian Alert	T 32	T 26
T 31	660/1200Hz @ 1Hz Sweeping	T 26	T 5
T 32	500-1200Hz 3.75sec /0.25sec. Australian Evac.	T 30	T 26